

Exercises

Revise basic knowledge about ELECTRICAL CURRENT

Exercise 1: Show which bulbs will light up in the following circuits:

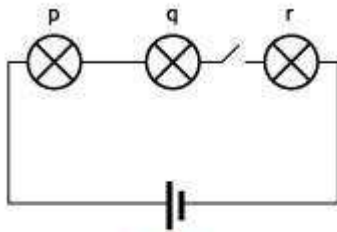


Fig. 2.1a

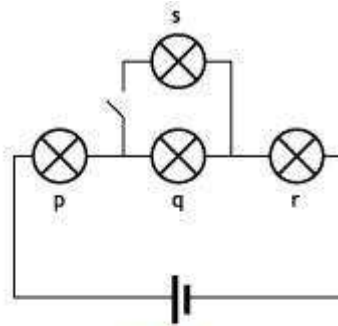


Fig. 2.1b

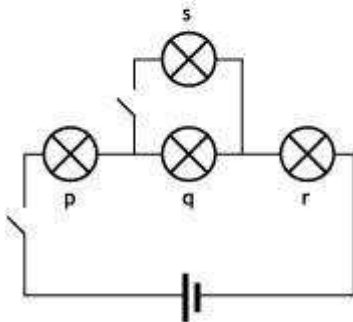


Fig. 2.1c

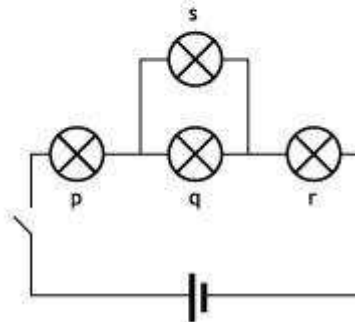


Fig. 2.1d

Solution 1: In 2.1a → None of them
 In 2.1b → p, q, r
 In 2.1c → None of them
 IN 2.1d → None of them